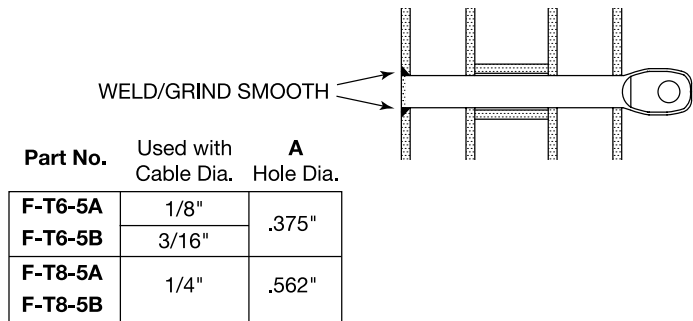
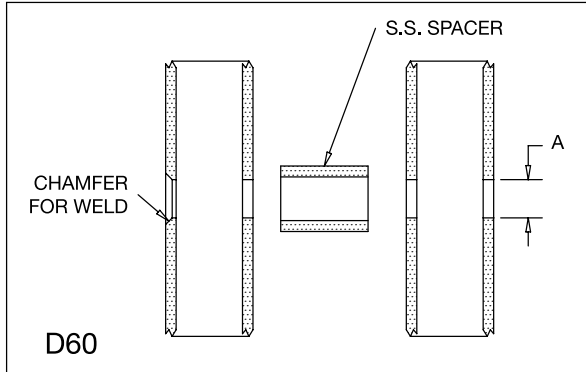


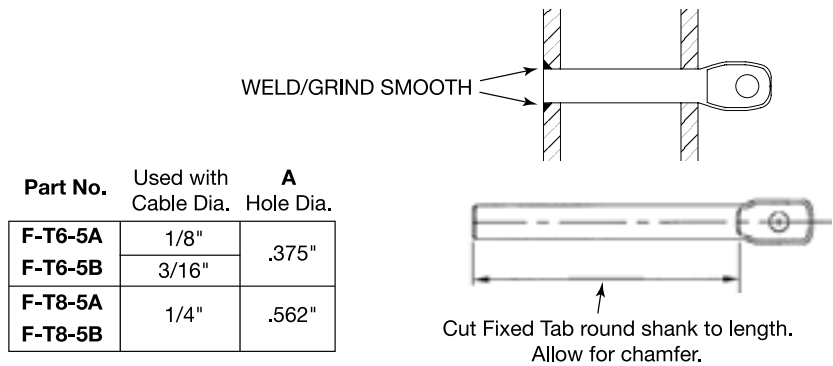
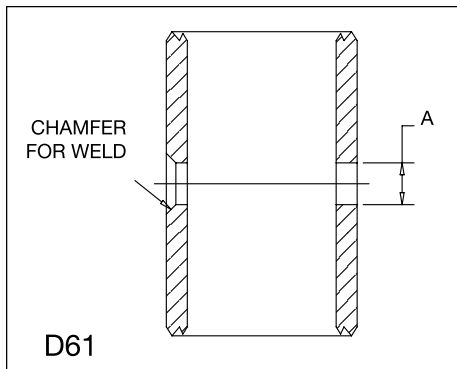
BORING INSTRUCTIONS

INVISIWARE® FIXED TAB

Used with double end post construction using 2"x1" or 3"x1" rectangular tubing with 1-inch spacers.



Used with square or rectangular tubing with minimum .250" wall thickness, or round steel tubing with wall thickness at least comparable to schedule 80 pipe.



Used with minimum schedule 80 pipe.

