

BORING AND SLOTTING INSTRUCTIONS For Intermediate Posts and Cable Braces

If you will be using grommets, see "Boring and slotting where grommets are being used" section on the next page.

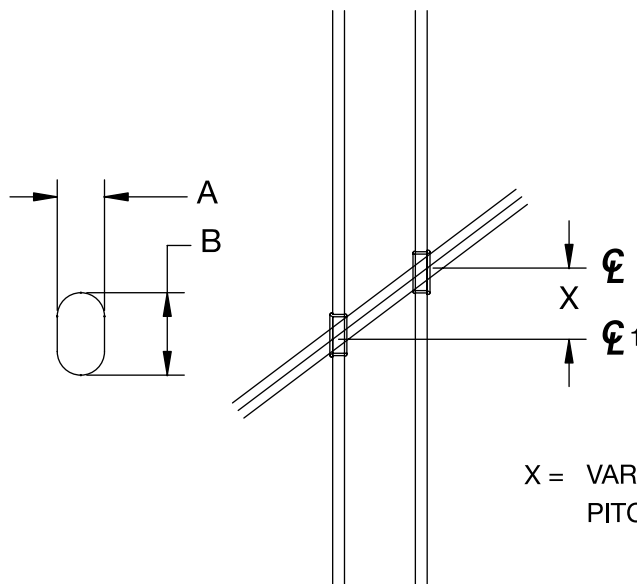
Boring and slotting where grommets are NOT being used

Intermediate Posts and Cable Braces Hole Diameters for LEVEL RUNS

HOLE DIAMETERS
GROMMETS NOT BEING USED

Cable Dia.	Fittings FIELD Swaged	Fittings FACTORY Swaged	
		Using Threaded Stud	Using Swaging Ferrule
1/8"	.156"	.344"	.265"
3/16"	.219"		
1/4"	.281"	.469"	.390"
5/16"	.343"	.594"	.516"
3/8"	.406"		

Intermediate Posts and Cable Braces Hole Diameters for STAIRS / SLOPED RUNS



Cable Dia.	A	B
1/8"	.156"	.362"
3/16"	.219"	.445"
1/4"	.281"	.524"
5/16"	.343"	.607"
3/8"	.406"	.690"

X = VARIES ACCORDING TO
PITCH & FRAME ELEMENT

D101A

SLOTTING DIAGRAM FOR STAIRS/SLOPES
AT PITCHES 0° THROUGH 37°

BORING AND SLOTTING INSTRUCTIONS For Intermediate Posts and Cable Braces (continued)

Boring and slotting where grommets ARE being used

Intermediate Posts and Cable Braces Hole Diameters for LEVEL RUNS

HOLE DIAMETERS — GROMMETS **ARE** BEING USED

Cable or Fitting Diameter passing through post Hole sizes are actual sizes *after* finish is applied (*see note).

1/8"	.250"
3/16"	
1/4"	.312"

Grommets are not offered for diameters greater than 1/4".

***Note: Grommets will not install properly in under- or over-sized holes.**

Intermediate Posts and Cable Braces Hole Diameters for STAIRS / SLOPED RUNS

