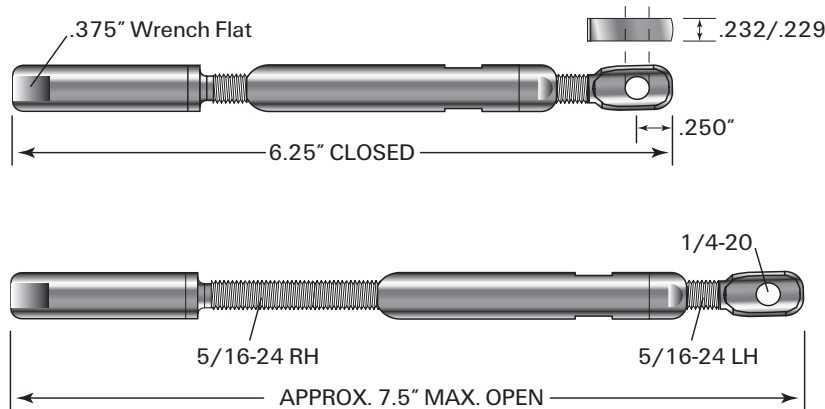
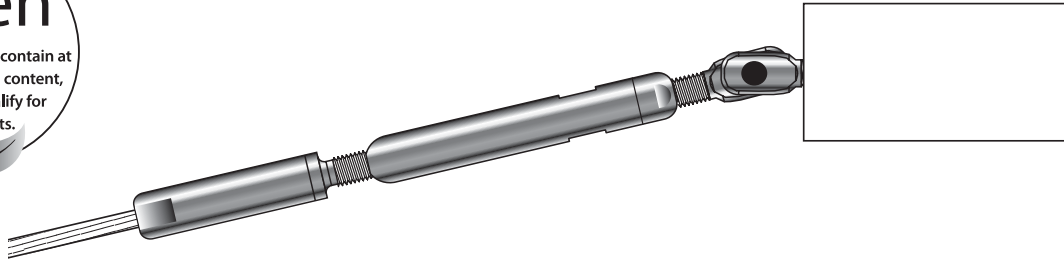


PUSH-LOCK™ TURNBUCKLE

This totally swageless fitting is the perfect choice where you have a stair or severe pitch and prefer to install the cables entirely by hand, no special equipment required.

Push-Lock™ Turnbuckles are designed for use with 1x19 L.H. lay strand only. After the fitting is attached to your end post, push the cable into the opening in the Push-Lock™ Turnbuckle, where it will be securely held inside. To tension the cable, just hold the end with an open-end wrench to keep the cable from turning and tighten the body with a second open-end wrench. When the cable is tensioned, tighten the lock nut against the body.



PUSH-LOCK™ TURNBUCKLE
 Push-Lock™ fittings are made of type 316 stainless steel,
 with the exception of internal components that are made of other types of stainless steel.
DESIGNED FOR USE WITH 1X19 L.H. STRAND ONLY

CABLE DIA.	PART NO.	USE WITH MOUNTING SCREW NO.*	OPTIONS FOR MOUNTING TO END POSTS	
			METAL POSTS	WOOD POSTS
1/8"	PL-TB4	SC-6	(Click here to view mounting options for metal posts)	(Click to view lag eyes to use with wood posts)

*Order SC-6 Screw Separately.

