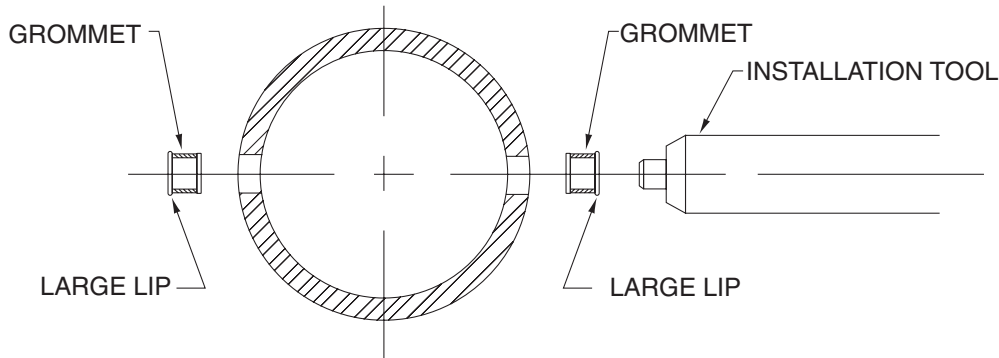


CABLE GROMMETS

Cable grommets are available for popular cable diameters of 3/16" and 1/4", to help prevent rust in exterior or other applications where moisture is a factor. Cable grommets prevent abrasion to the inside surface of the holes through which the cable is drawn as it is installed in the railing frame. This can make a big difference in the appearance of the railing after a few years.

Cable grommets are installed into holes in intermediate posts, cable braces and, in the case of the Invisiware® radius ferrule, into the end post holes through which the cable exits. They are installed after the paint or powder coating is applied and before the cables are installed. Cable grommets are available in black UV resistant Delrin®.

*Delrin is a registered trademark of E.I. du Pont de Nemours & Co.



Order cable grommets by diameter of cable and post through which the cable will be drawn.

CABLE DIA.	INTERMEDIATE POST MATERIAL (Not slotted for Stairway)			END POST MATERIAL USING RADIUS FERRULE, PUSH-LOCK™, OR PULL-LOCK™ FITTINGS	
	SCH. 40 1-1/4", 1-1/2" & 2" PIPE	SQ. OR RECT. TUBE WITH .120" WALL	1/4" CABLE BRACE or SQ. OR RECT. TUBE WITH .250" WALL	SCD. 80 1-1/4", 1-1/2" & 2" PIPE*	SQ. OR RECT. TUBE WITH .250" WALL
1/8" & 3/16"	G-C6-1	G-C6-2	G-C6-4	G-C6-3	G-C6-4
1/4"	G-C8-1	G-C8-2	G-C8-4	G-C8-3	G-C8-4

CABLE DIA.	INTERMEDIATE POST MATERIAL SLOTTED FOR STAIRWAY PITCH UP TO 37°		
	SCH. 40 1-1/4", 1-1/2" & 2" PIPE	SQ. OR RECT. TUBE WITH .120" WALL	1/4" CABLE BRACE or SQ. OR RECT. TUBE WITH .250" WALL
1/8" & 3/16"	GI-C6-1	GI-C6-2	GI-C6-4
1/4"	GI-C8-1	GI-C8-2	GI-C8-4

**Cable grommets not required with Push-Lock™ or Pull-Lock™ fittings used in 1-1/4" Schedule 80 pipe if pipe is counterbored.*

Cable Grommets are offered in lots of 100.