
Tubed Corner Sections

Tubed corner sections can replace corner posts with hardware mounted on two sides or two posts with cable pulled between them. The cable runs through tubes welded to two posts. It makes a nice looking corner with uniform curves going around the corner.

See the following pages for detailed drawings you can use or modify for your project.

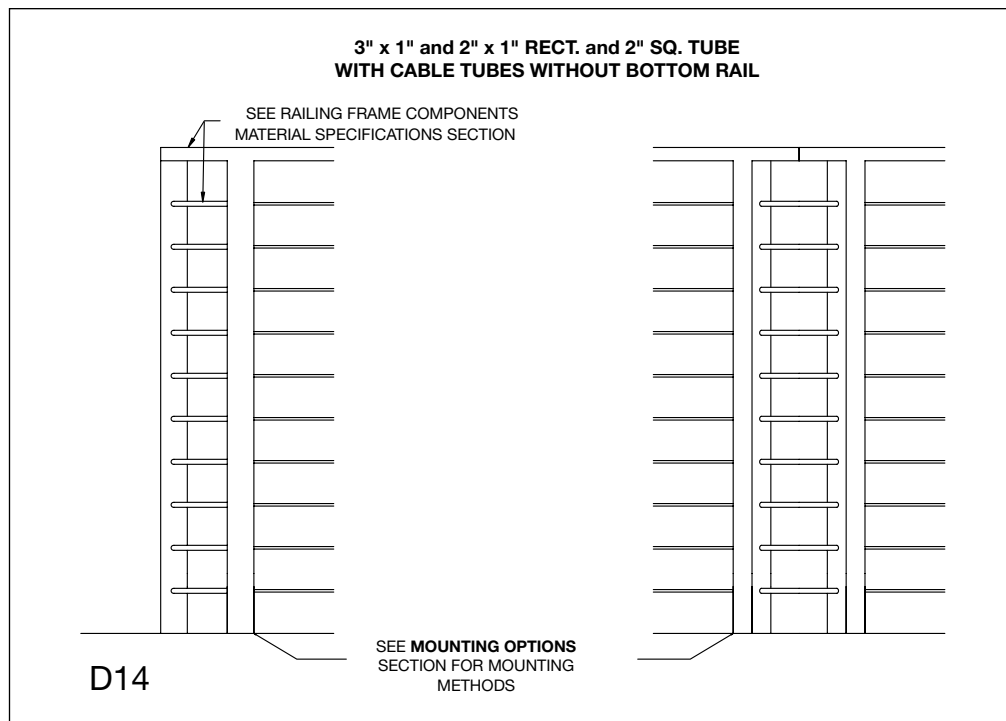
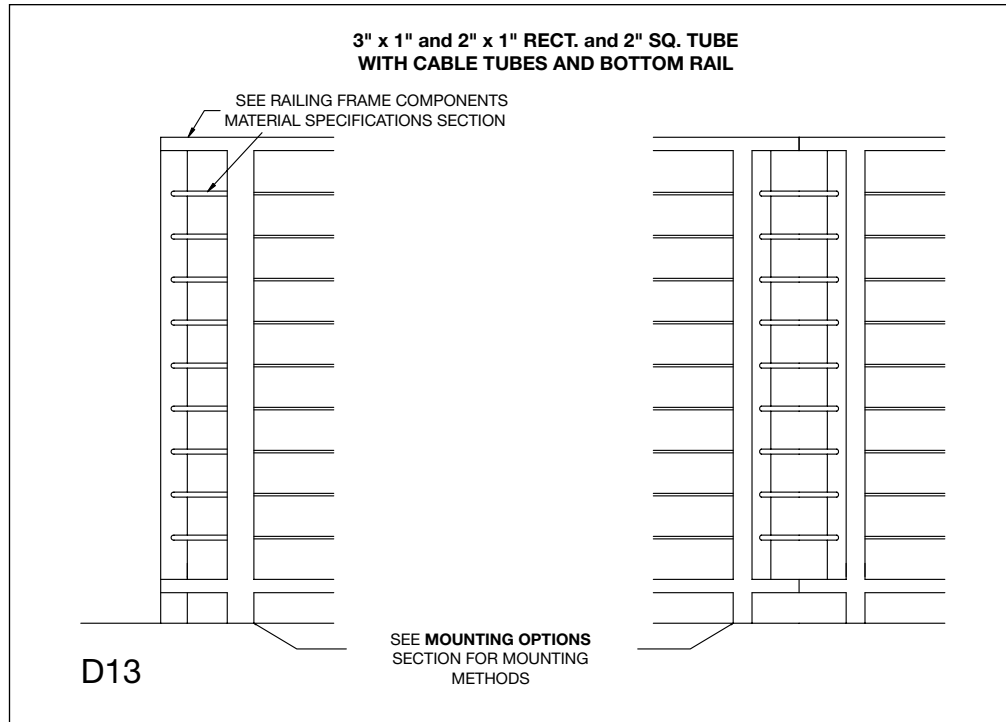
Frame components can be carbon steel or stainless steel, and your vertical posts can be the same material used for your intermediate posts.



1/1/05

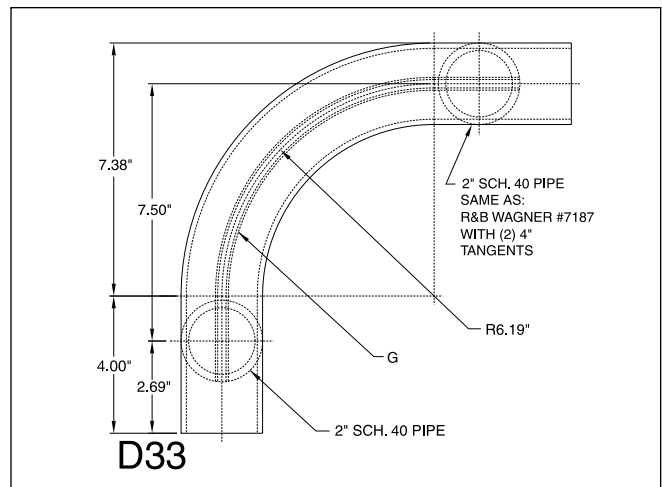
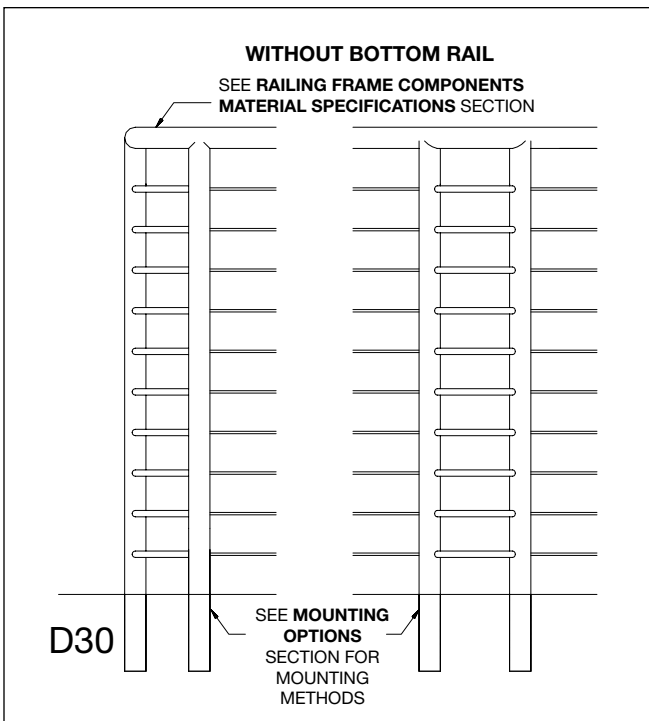
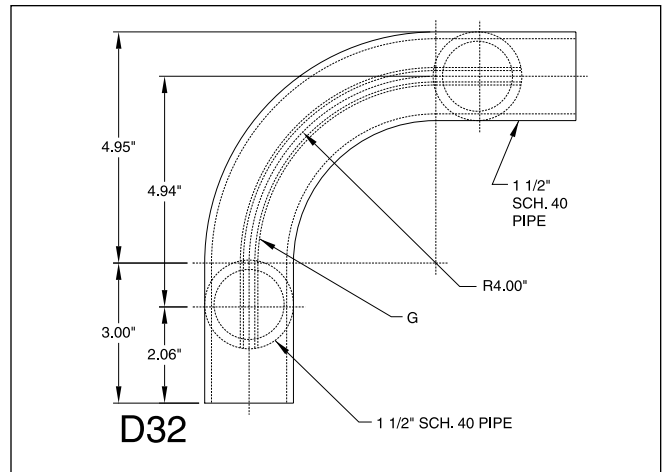
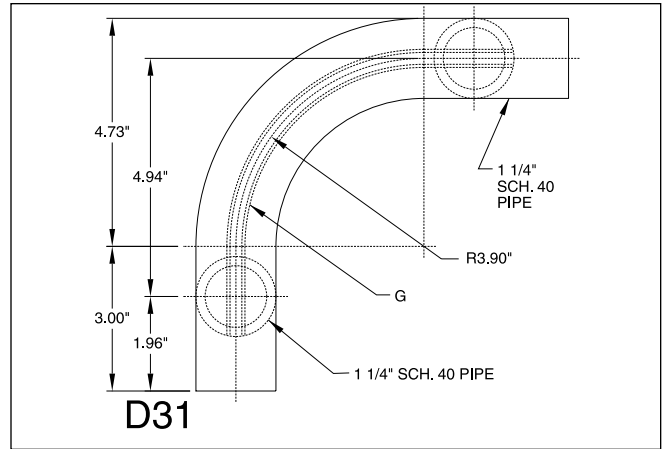
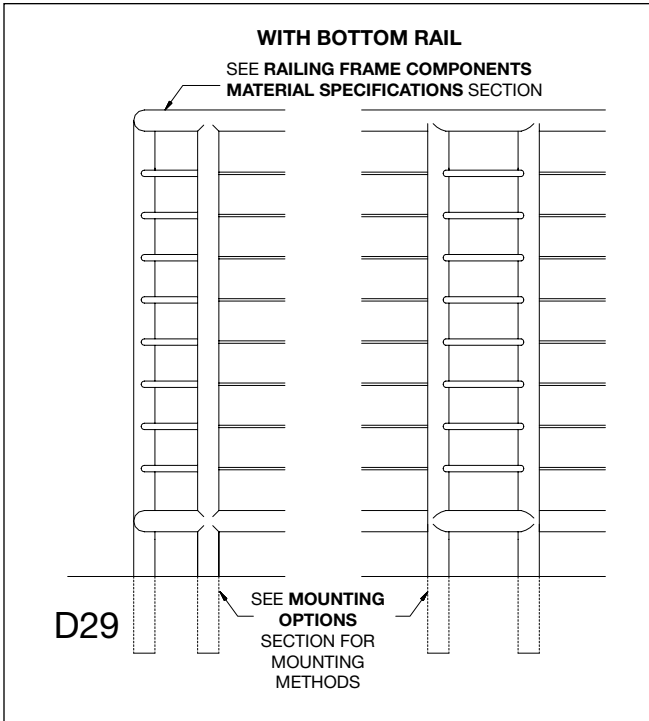
Detailed Drawings for Tubed Corner Sections

Square and Rectangular Tubing Corner Sections



Detailed Drawings for Tubed Corner Sections

Square and Rectangular Tubing Corner Sections



Detailed Drawings for Tubed Corner Sections

Square and Rectangular Tubing Corner Sections

